

Arriva

Installation instructions



Thank you for choosing Arriva

> GETTING STARTED

Before installing the Arriva doorset please ensure you have carried out the recommendations in the Wall Construction Preparation booklet. Familiarise yourself with these instructions fully before starting to install the doorset.

Your delivery will include one or both of the boxes below depending on your order. Ensure you have everything you need prior to installation - sizes should be checked on the frame box as shown below.



> Check sizes



> Door frame



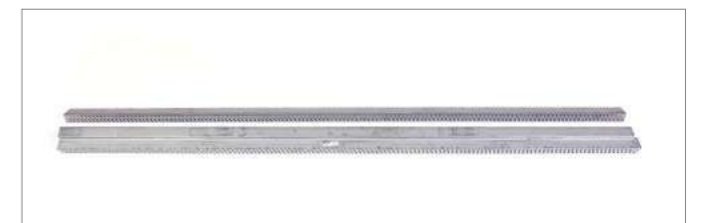
> Door leaf

Whats included with Arriva

> DOORSET



> Hinge jamb and corresponding reveal



> Strike jamb and corresponding reveal



> Black plastic head clips



> Head jamb and corresponding reveal



> Strike plate with plastic insert and fixings



> Door

Hinge options

> HINGES



> Butt hinge



> SOSS hinge



> ROC-York hinge

Correct storage of doors

> IMPORTANT INFORMATION

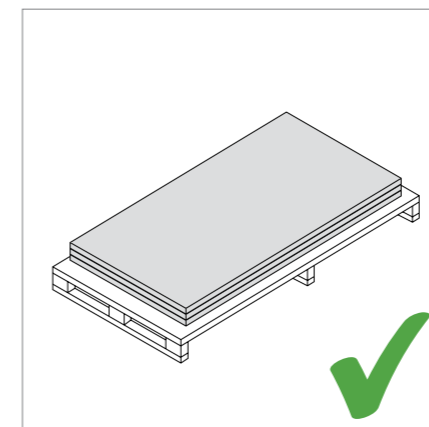
It is important that timber doors are stored in the correct manner prior to installation. Let solid wood doors acclimatise at normal room temperature for several days prior to installation.

They must be protected from exposure to excessive moisture and stored horizontally on a level surface on 3 or more equally spaced bearers, away from ground floor level. It is also recommended that any wrappings be left in place for as long as possible.

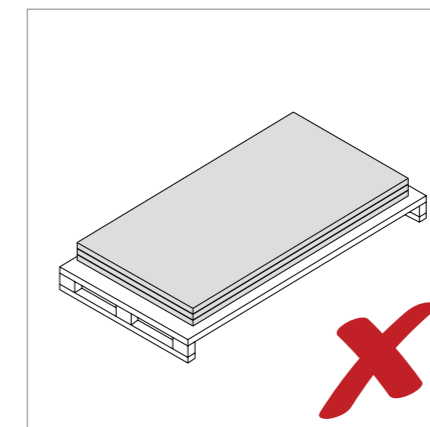
Do not lean doors on their edge up against a wall. This will almost certainly cause them to warp and distort.

Fire door leaves and doorsets are internal joinery components. As such, their handling and storage prior to installation should ensure that they are protected from rain, sun, and splashing by corrosive or staining materials - preferably in a ventilated building.

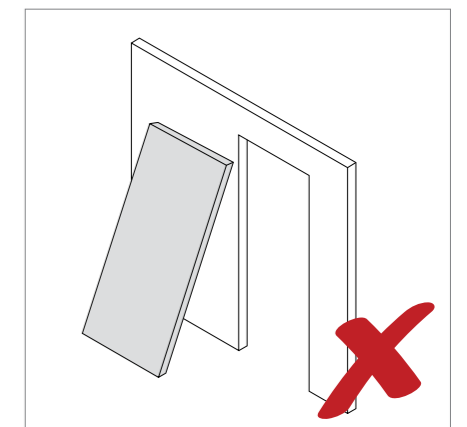
Door leaves and doorsets that are clear lacquered or varnished should be subject to storage that protects them from being unevenly exposed to sunlight.



> Laid flat with load spread evenly



> Laid flat with load spread too wide



> Leant against wall

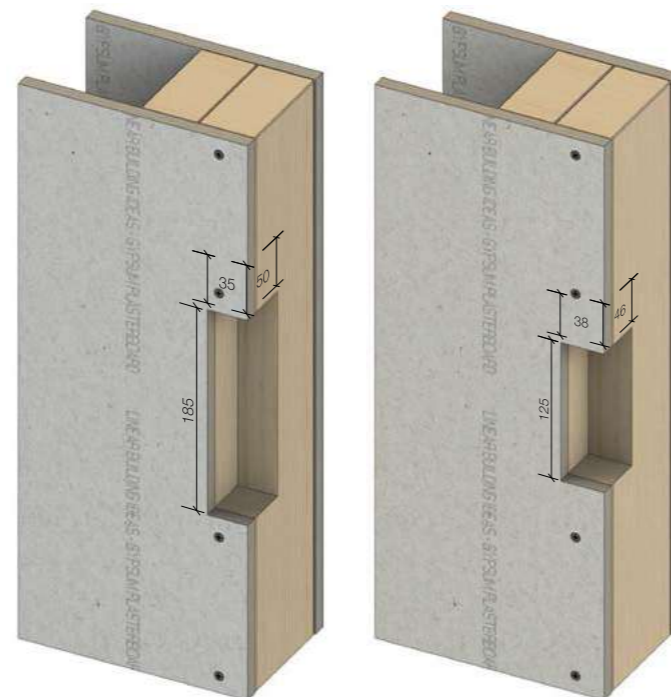
Arriva installation: Step-by-step

> STEP 1 Check opening

It is very important to ensure that the opening is square and level and the opening dimensions are correct. (Opening dimensions are obtained from the EZY-Jamb door schedule provided for your project and are also listed on the frame box.) Locate the frame for the opening and open the pack.

If using concealed hinges

If concealed hinges are to be used, make the notches in the studwork for them now. Details on how to do this are covered in the Arriva hinge installation instructions included with this pack.



> ROC-York notch

> SOSS notch

> STEP 2 Hinge jamb

Ensure the black plastic clip is slotted into the top of the hinge jamb with the slot facing away from the perforated edge.



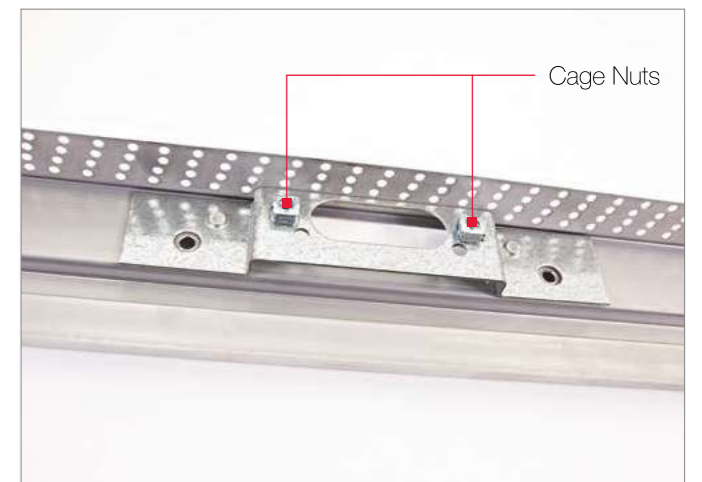
> STEP 3 Head jamb installation

The hinge jamb is installed first. Check all the cage nuts are in situ before you start.

The reveal clips into the jamb over the stud wall as shown. Make sure the frame is upright and an equal distance from the opposite stud. Fix into position with 4 drywall screws (at least 50mm long) evenly spaced along the length of the jamb through the perforated flange.

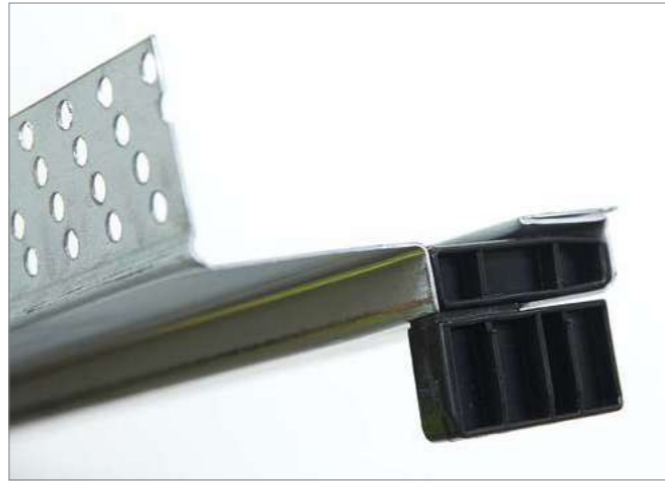
Important

Before installation is complete, further screws will be required. This is covered in Step 9. Do not completely secure frame yet.



> **STEP 4** Head jamb installation

Remove the second black clip from the top of the latch jamb and fit into the latch side of the head jamb.



> **STEP 5** Head jamb installation

Now slot the opposite end of the head into the black clip at the top of the already installed hinge jamb. Clip its associated reveal into place and once level secure with 2-3 screws either side.

Important

Before installation is complete, further screws will be required. This is covered in Step 8. Do not completely secure frame yet.



> **STEP 6** Latch plate position

Now slot the strike jamb over the black clip located into the head in Step 4.

Before fixing the jamb in position, mark out and mortise the latch stud to accommodate the plastic latch plate insert.



> **STEP 7** Install latch jamb

Now the latch mortise has been made, install the strike jamb in the same manner as the head and hinge jamb. Ensure the frame is plumb and square. A framing square may be useful at this stage.

Optional - 4 sided frames

If the frame being installed is 4 sided, the threshold jamb will need to be installed also.

The bottom of the side jambs will be notched and black plastic clip inserted as shown in the image opposite.

The threshold jamb is supplied notched and they fit together as shown opposite.

Insert first one end into the corner clip and then the other. Ensure it is sitting square and fix into place using 2-3 screws either side.



> **STEP 8** Hang door leaf

Now hang the door to ensure it swings correctly and smoothly and the frame is true. Check that the gaps around the sides are 2.5-3mm. Make adjustments to the frame if required. If the doors have not been provided with the frames, a dummy door can be provided.

Important

Specific instructions on hanging the door leaf are found in the Arriva hinge installation instructions.



> **STEP 9** Fix every 200mm

Check the perforated side flanges sit flat against the plasterboard and screw at 200mm centres around the frame through the flange into the studwork.

Double screw all the ends of the frame as shown.



> **STEP 10** Double screw

If using concealed hinges then a double screw is required above and below the hinge notch through the perforated flange as shown opposite.

Now the frame is fully installed, remove the door, and protect and store in a safe place until plastering and decorating is complete.

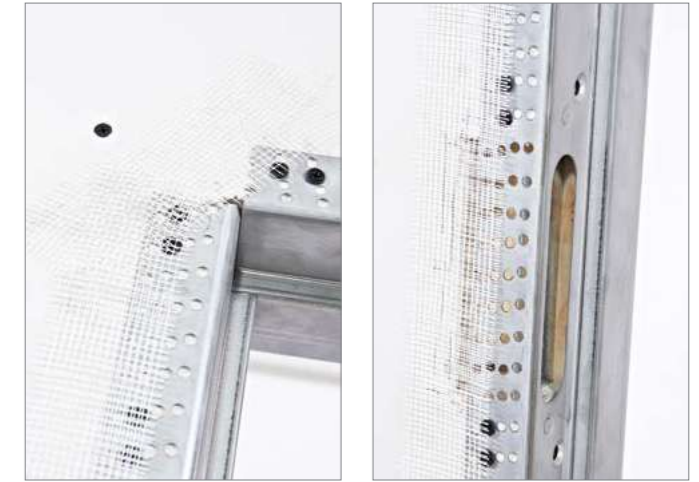


> **STEP 11** Plaster tape

Apply plaster fibre tape to the top corners at 45 degrees.

Important

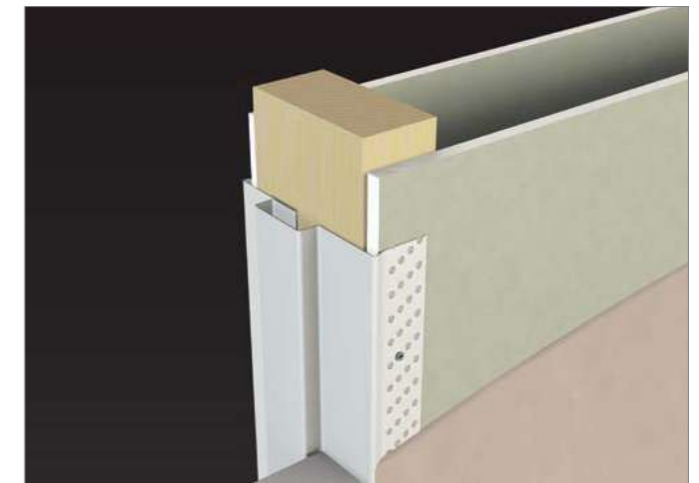
If using concealed hinges you will need to apply 2 layers of plaster tape over the hinge jamb.



> **STEP 12** Plastering / Decoration

Finish up to the stop bead with multi-finish plaster skim or tape and jointing compound. This conceals the frame and all fixings.

Once the plaster/jointing compound has dried, the wall and frame can be painted. The frame will need a metal primer applied (if supplied unfinished) and can then be painted as required.



> **STEP 13** Re-hang door leaf

The door can now be re-hung. If the door is fire rated then the intumescent strips provided will need to be fitted to the groove in the door edge.



> **STEP 14** Fitting the latch

Fit the latch or lock to the door. Fitting of the strike / latch plate is straight forward as it is surface mounted over the frame via 2 PH2 self drilling screws.

Important

Keep the drill torque low to avoid turning the screws out of the frame or losing the thread.



Congratulations - youve now completed the installation of your EZY-Jamb Arriva doorset!



Arriva additions

> **SELF CLOSERS**

If the doorset is required to be self closing then a standard overhead closer can be used. If a concealed closer is required, the Dorma ITS 96 overhead concealed closer is used.

The standard overhead closer is installed in the usual manner. When using the concealed closer, the door leaf will be prepared to receive the body of the closer and the head frame will be supplied with a cut out for the closer arm channel. The closer arm channel needs to be fitted to the head stud behind the frame.

Full installation instructions are available within the self closer packs. For more information speak to our advisors today:

0113 245 9559



> Overhead closer



> Concealed closer

Multi purpose saw

> MULTI-TOOL

The recommended tool for cutting in the notches is the multi purpose saw. This can be hired or purchased from Linear.

Purchase

£185.00 + VAT

Includes the Bosch multi-tool and x2 blades.

Hire

First week £50.00 + VAT

Includes delivery and collection plus x1 blade.

£15.00 + VAT per week thereafter.

Additional blades

£14.00 + VAT

x1 standard multi purpose blade for timber and metal.

For more information speak to our advisors today:

0113 245 9559



> Bosch multi-tool



For help and advice on any of our products call our support team on:

0113 245 9559



Architectural Hardware



Door Solutions



Access Solutions



Washroom Solutions

Leeds Office

Forge House
42-44 Burley Road
Leeds
LS3 1JX
T: 0113 245 9559
F: 0113 245 9779

Ashford Office

Ground Floor, Unit 4
Highpoint Business
Village, Ashford
TN24 8DH
T: 0123 364 7788
F: 0123 365 5244

London Office

Hamilton House
Mabledon Place
Off Euston Road
London, WC1H 9BB
T: 0207 099 8299
F: 0207 099 9351

Sheffield Office

Suite 168
49 Eldon Street
Sheffield
S1 4NR
T: 0114 345 0235
F: 0114 345 0236

